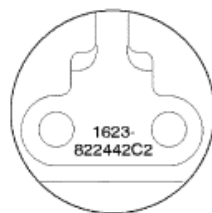
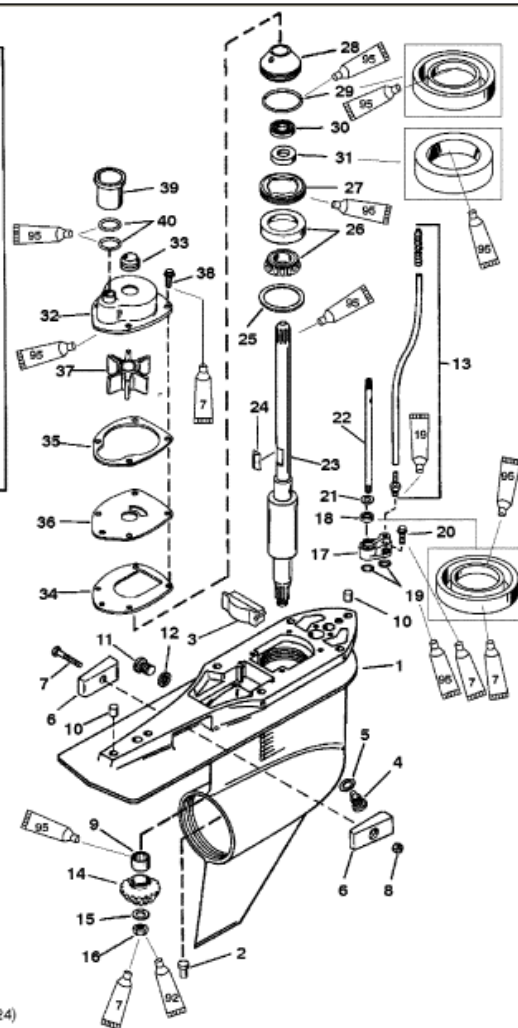


4.75 IN/120.65MM
 TORPEDO DIA.



- Loctite 271 (92-809820)
- Perfect Seal (92-34227-1)
- Loctite 7649 Primer (92-809824)
- 2-4-C With Teflon (92-825407A12)



Parts List						
Ref	Class	Part	Description	Qty	Comment	Footnote
1	1623	822442A25	GEAR HOUSING	1	(BASIC-BLACK)	
1	1623	822442A26	GEAR HOUSING	1	(BASIC-GRAY) WHEN EXISTING	
2	17	37972 1	PIN	1		
3		821526	FILLER BLOCK	1		
4	22	67892A 1	MAGNETIC SCREW	1		
5	12	19183	SEALING WASHER	1		9
6		826134	ANODE	2		
7	10	40003 33	SCREW	1		
8	11	826833 6	NUT	1		
9	31	42647A 1	ROLLER BEARING	1		
10	17	43044	DOWEL PIN	2		
11	10	79953A 2	SCREW	1		
12	12	19183	SEALING WASHER	1		9
13	22	85822A10	CONNECTOR	1	(X-LONG)	
13	22	85822A 6	CONNECTOR	1	(XX-LONG)	
14		NSS	PINION GEAR (PART OF 43-8262)	1	(1.75:1 - 12/21)	14
14		NSS	PINION GEAR (PART OF 43-8129)	1	(1.64:1 - 17/28)	14
14		NSS	PINION GEAR (PART OF 43-8282)	1	(1.62:1 - 13/21)	14
15	12	92721	WASHER	1		
16	11	35921	NUT	1		
17	23	815921A 4	BUSHING ASSEMBLY	1		
18	26	816464 1	OIL SEAL	1		9
19	25	36318	O RING	2		9
20	10	19937 16	SCREW	2		
21	12	77674	RUBBER WASHER	1		
22		824145	SHIFT SHAFT (LOWER)	1		
23	45	816472	DRIVE SHAFT (LOWER)	1		
24	28	43037	KEY	1		11
25	15	42637A 1	SHIM	AR		5
26	31	36387A 1	TAPERED ROLLER BEARING	1		
27		824519	RETAINER	1		
28		821759A 2	CARRIER ASSEMBLY	1		11
29	25	90011	O RING	1		9,11
30	26	16977	OIL SEAL	1		9,11
31	26	89238	OIL SEAL	1		9,11
32		817275A 1	WATER PUMP ASSEMBLY	1		11
33	26	816575A 2	SEAL	1		9,11
34	27	43033 1	GASKET	1		9,11
35	27	817277	GASKET	1		9,11
36		817276	FACE PLATE	1		11
37	47	43026 2	IMPELLER	1		11